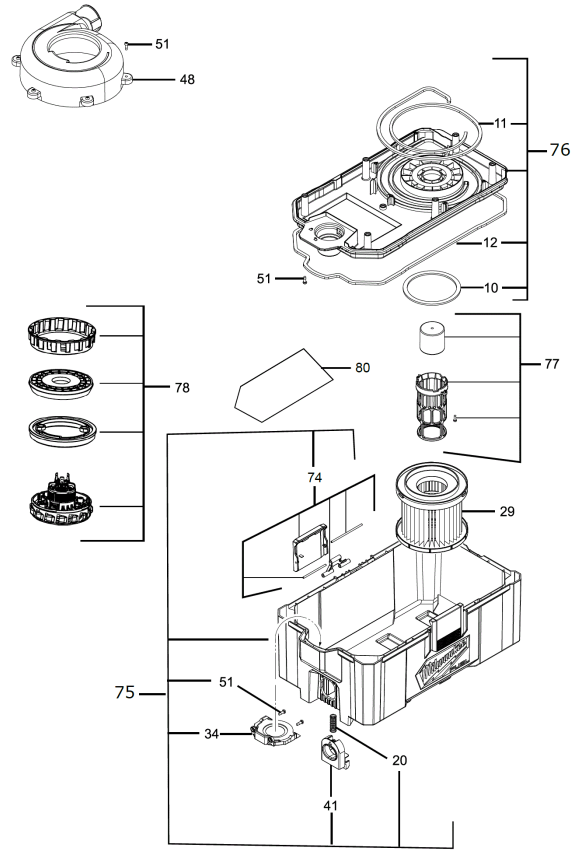
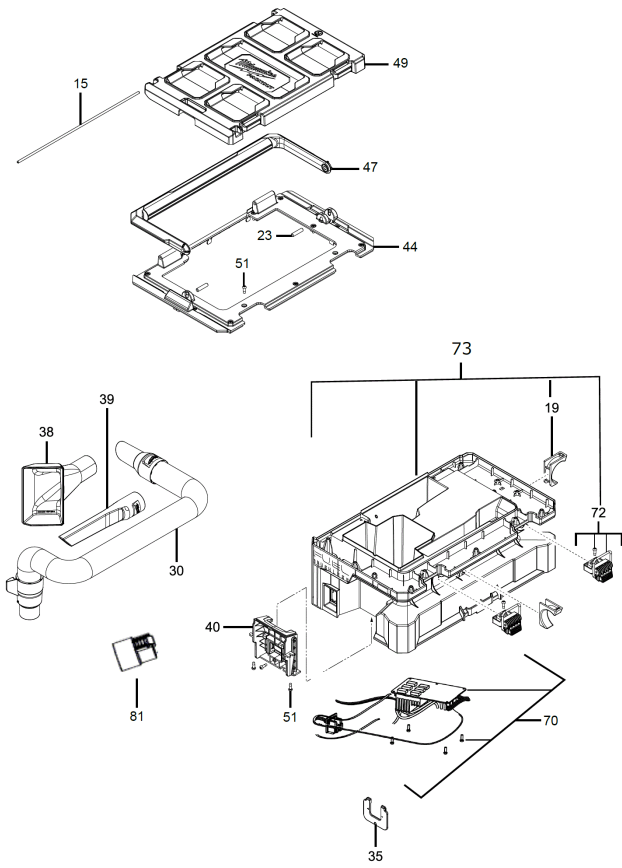


M18FPOVCL PACKOUT WET DRY VACUUM XXX

4933478187 - M18FPOVCL-0 - 4000503954





Position	Quantity	Description	Part number	EAN
0010 1	1	SEAL	4931479698	4058546394615
0011 2	1	SEAL	4931479699	4058546394622
0012 3	1	SEAL	4931479700	4058546394639
0015 4	1	PIN	4931479701	4058546394646
0019 5	2	HOLDER	4931479702	4058546394653
0020 6	1	SPRING	4931479703	4058546394660
0023 7	2	PIN	4931479704	4058546394677
0029 8	1	DRY FILTER HEPA UNIVERSAL REPLACEMENT	4932478754	4058546360368
0030 9	1	HOSE	4931479705	4058546394684
0034 10	1	HOLDER	4931479706	4058546394691
0035 11	1	HOLDING BRACKET	4931479707	4058546394707
0038 12	1	COARSE DIRT NOZZLE	4931479708	4058546394714
0039 13	1	FLAT JET NOZZLE	4931479709	4058546394721
0040 14	1	RECEPTION PIECE	4931479710	4058546394738
0041 15	1	LATCH	4931479711	4058546394745
0044 16	1	COVER	4931479712	4058546394752
0047 17	1	HANDLE	4931479715	4058546394783
0048 18	1	DIRECT.DUST CHUTE	4931479716	4058546394790
0049 19	1	COVER	4931479717	4058546394806
0051 20	1	SCREW	4931479719	4058546394820
0070 21	1	ELECTRONIC	4931506745	4058546560591
0072 22	2	LATCH	4931479721	4058546394844
0073 23	1	BODY	4931494465	4058546470371
0074 24	2	LATCH	4931479722	4058546394851
0075 25	1	TANK	4931494466	4058546470388
0076 26	1	CONNECTOR	4931494467	4058546470395
0077 27	1	LOCKING PART	4931479723	4058546394868
0078 28	1	MOTOR	4931506746	4058546560607
0080 29	1	RATING PLATE	4931506747	4058546560614
0081 30	1	CONNECTOR	4931447294	4002395251490